

BF73 CURVED SASH TECH SHEET

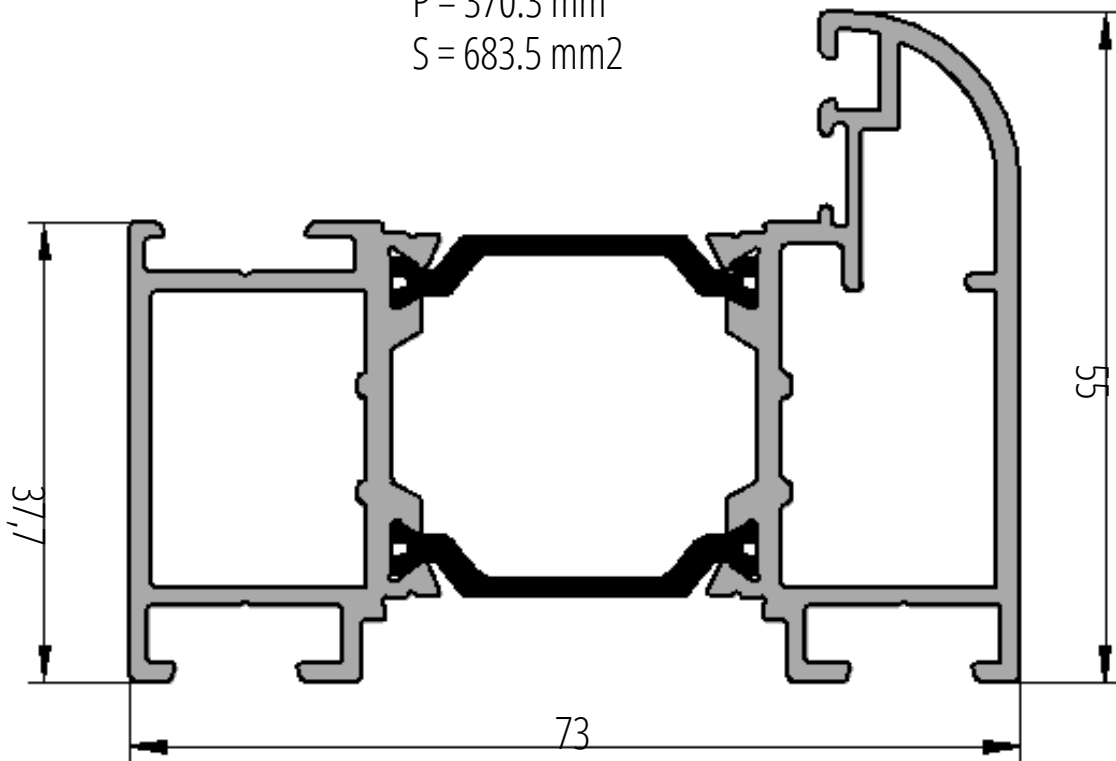
Rounded sash (55 mm)

AYPC.BF73.0211

$m = 1.68 \text{ kg/rm}$

$P = 370.3 \text{ mm}$

$S = 683.5 \text{ mm}^2$



t: 01924 350 110

alutechsystems.co.uk

enquiries@alutechsystems.co.uk

ALUTECH
SYSTEMS



GREAT ARCHITECTURE
STARTS WITH ALUTECH